

The Art of Measuring.



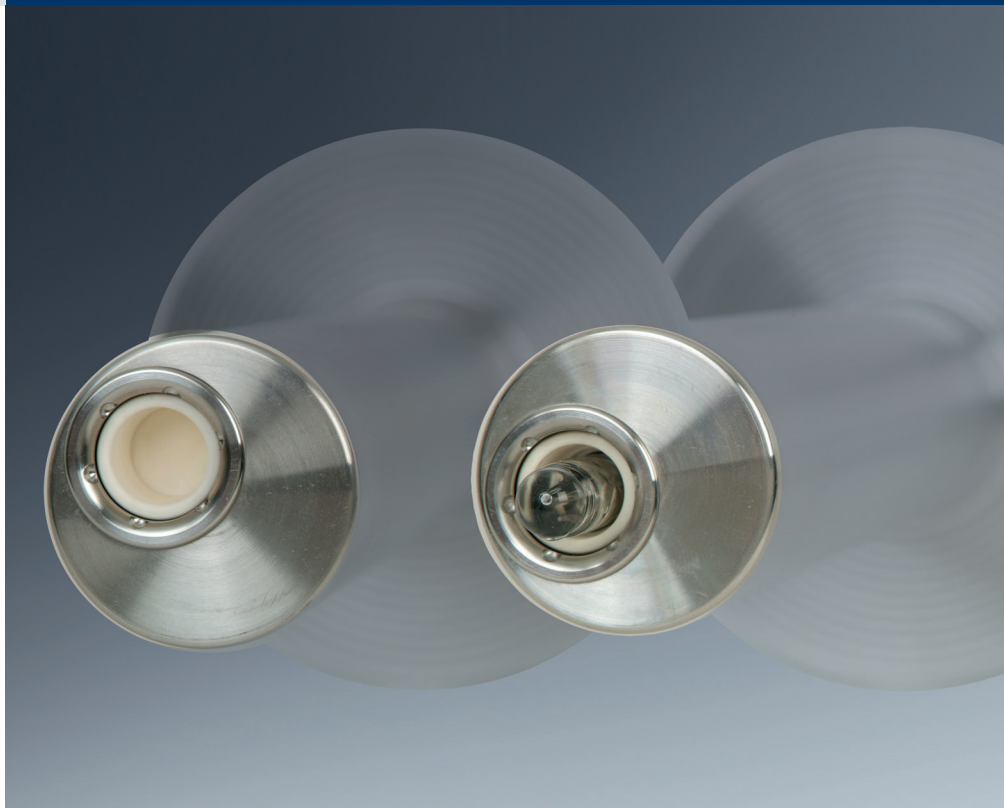
Proven Ceramat functionality  
with up to 300 mm immersion depth.  
Stainless steel, Hastelloy or titanium  
housing and ceramic lock-gate sealing

# CeraLong



# CeraLong

Immersion depth up to 300 mm

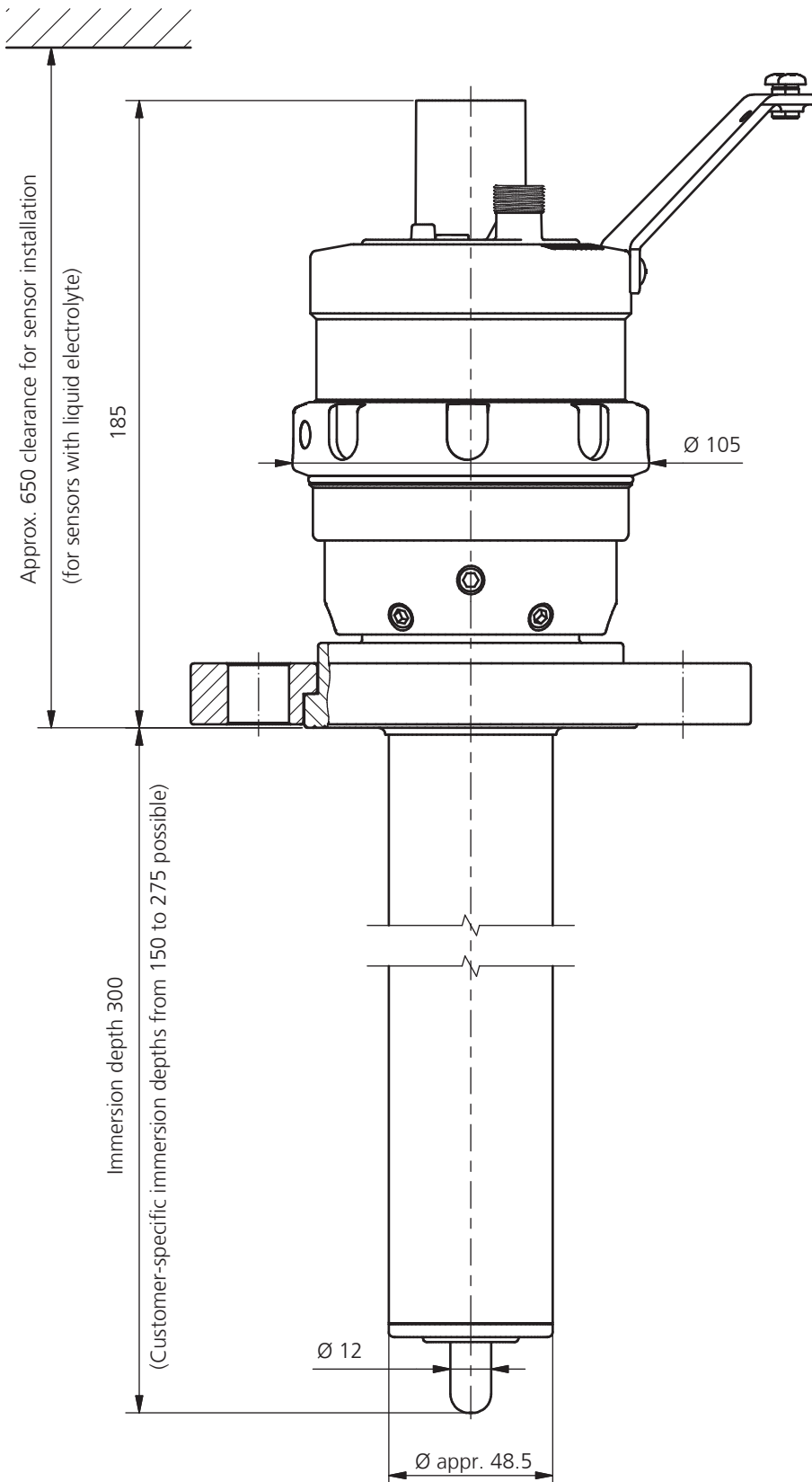


Ceramically sealed fitting for electro-chemical sensors (12 mm dia.) and optical sensors (12 mm or 12.7 mm dia.); also available in titanium and Hastelloy.

## Facts

- Gaskets replaceable during the running process
- Usable with DN 50 and 2" or larger ANSI flanges
- Torsion protection for fiber-optic sensors
- Pressure-resistant up to 10 bar at 140 °C
- Safety pressure up to 40 bar at 140 °C

**Dimension Drawing**



All dimensions in mm.



Isolation Amplifiers / Transmitters

Indicators

Process Analytics

Portable Meters

Laboratory Meters

Sensors

Fittings

**Knick**

**Elektronische Messgeräte  
GmbH & Co. KG**

Beuckestraße 22, 14163 Berlin,  
Germany

Phone: +49 30 801 91 - 0

Telefax: +49 30 801 91 - 200

knick@knick.de · www.knick.de